



# FABER

## 60" x 36" Drop-In Acrylic Soaking Tub

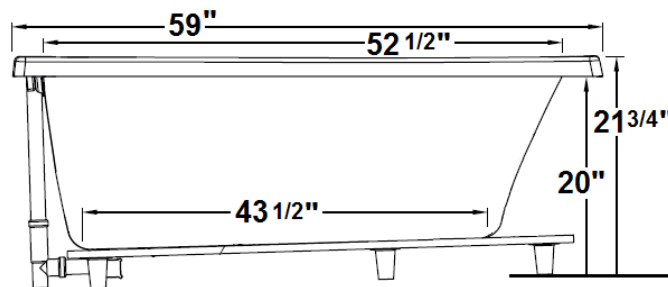
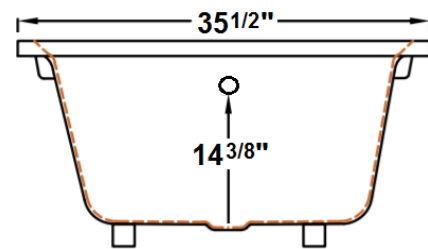
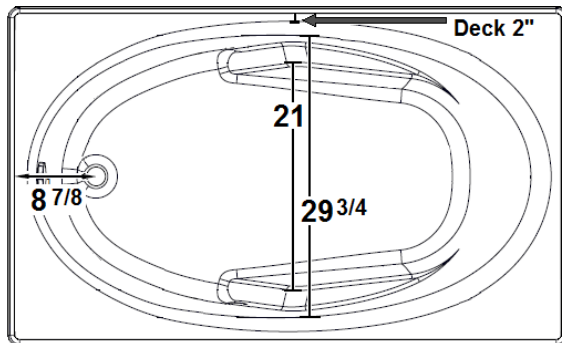
Model Number  
**6036FT064**  
Drop-In Soaker in White

### Features

- Constructed of high-gloss durable acrylic
- Pillow included
- Pre-leveled base for easy installation
- Textured floor
- Heater available – LM305
- Mood light available – LM522
- Made in the USA



**\*All dimensions are +/- 1/2" and subject to change without notice\***  
**Confirm specifications before installation**



### Technical Information

- Cut-Out Dimensions: 57" x 33 1/2"
- Weight: 116 lbs.
- Water Depth to Overflow: 14 3/8"
- Water Capacity: 63 gal.
- Sump Dimension: 43 1/2" x 21"

### Electrical Requirements.

- (Optional) LM305 Heater: 12.5 Amps
- Dedicated GFCI's required for each option

## Acrylic Soaking Tub

This Traditional style drop in tub includes a sloped backrest, integral arm rests and removable pillow. Other standard features include a textured floor, and premium reinforcement. This tub is made in the USA and is available in white and biscuit

Laurel Mountain enables you to enhance your bathing experience by offering a broad range of options to customize your bath. The options available on this bath are shown below.

## AVAILABLE OPTIONS & UPGRADES

For Pricing, visit the “Help” page at [www.laurelmountainwhirlpools.com](http://www.laurelmountainwhirlpools.com). Download the Price book. For pictures and descriptions of options, go to [www.laurelmountainwhirlpools.com](http://www.laurelmountainwhirlpools.com) and click “options” tab found at the bottom of the website.

### Therapeutic

**LM305 12.5 Amp Water Heater (120V)**

**LM522 Chromatherapy**

### Accessories

#### **CABLE OPERATED DRAINS**

LM200 Chrome

LM210 White

LM201 Brushed Nickel

LM211 Biscuit

LM202 Bronze

#### **8” GRAB BARS**

LM230 White

LM231 Biscuit

### Design / Construction

**LM540 Tile Flange (RH)**

**LM542 Plastic Flange**

**LM555 Skirt (RH drain)**

**LM541 Tile Flange (LH)**

**LM545 A-1 Pump Loc**

**LM556 Skirt (LH drain)**

**LM546 A-2 Pump Loc**

## INSTALLATION

Install this unit according to the Owner’s Manual. The Owner’s manual can be found by visiting the “Help” page at [www.laurelmountainwhirlpools.com](http://www.laurelmountainwhirlpools.com). Select “Installation” on the right side of the page. Then click on the “Colony Owner’s Manual”.